

# Special process equipment

## Tungsten grinders

### G-Tech Handy Tungsten grinders

The G-Tech Handy is an easy to use tungsten electrode grinder. The grinding angle can be adjusted easily, using just one hand. The G-Tech Handy grinds electrodes with dimensions of 1.0 to 4.0 mm and it is equipped with a dust filter. The speed (rpm) can be adjusted and the unit weighs just 2.8 kg. The G-Tech Handy is delivered in a durable hard case that makes it easy to transport.

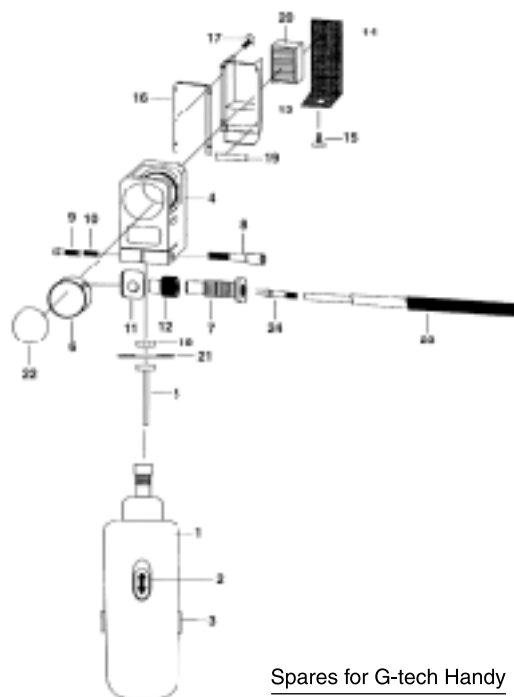
#### Ordering information

G-Tech Handy, 230 V, 50 Hz 0700 009 883



#### SPARES FOR G-TECH HANDY

1	Motor 230 V	0700 009 041
2	On/Off switch	0700 009 042
3	Carbon brush	0700 009 044
4	Grinding head	0700 009 045
5	Spindle for diamond disc	0700 009 046
6	Grinding chamber	0700 009 047
7	Guide for electrode holder	0700 009 048
8	Allen key	0700 009 049
9	Allen screw	0700 009 050
10	Spring	0700 009 056
11	Grinding position selector	0700 009 051
12	Screw	0700 009 052
13	Filter housing	0700 009 053
14	Filter cover	0700 009 054
15	Allen key to fix the filter cover	0700 009 055
16	Rubber seal big	0700 009 057
17	Screw to fix filter cassette	0700 009 058
18	Screw to fix diamond disc	0700 009 059
19	Rubber seal small	0700 009 060
20	Filter cassette	0700 009 029
21	Diamond disc	0700 009 028
22	Inspection glass	0700 009 037
23	Electrode holder	0700 009 030
24	Collet body 1.0 mm	0700 009 034
24	Collet body 1.6 mm	0700 009 031
24	Collet body 2.0 mm	0700 009 035
24	Collet body 2.4 mm	0700 009 032
24	Collet body 3.2 mm	0700 009 033
24	Collet body 4.0 mm	0700 009 036
	Case for the machine (not shown)	0700 009 061



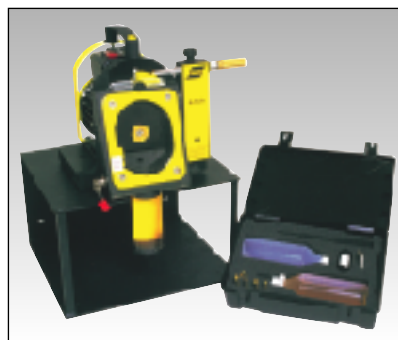
Spares for G-tech Handy

# Special process equipment

## Tungsten grinders & electrodes

### G-Tech

G-Tech is a tungsten-electrode grinder with a unique enclosed wet-grinding system. A wet grinding system is the most effective protection from Thoriated tungsten grinding dust. All dust is collected in the liquid and the risk of oxidation of the electrode is reduced. The grinding angle can be adjusted and the tip can be grind in a 90° angle to make it less pointed. The small table seen in the picture is not included and is not available from ESAB.

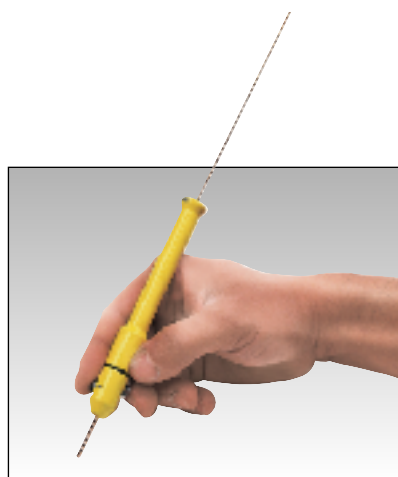


#### Ordering information

G-Tech 230V, 50Hz	0700 009 880
Gasket	0700 009 001
Diamond disc, (inc nut)	0700 009 002
Liquid 250 ml	0700 009 004
Return bottle 250 ml	0700 009 005
Collet body 1.0 mm	0700 009 007
Collet body 1.6 mm	0700 009 008
Collet body 2.0 mm	0700 009 018
Collet body 2.4 mm	0700 009 009
Collet body 3.2 mm	0700 009 010
Collet body 4.0 mm	0700 009 011
Collet body 4.8 mm	0700 009 019
T-piece	0700 009 012
Spacer piece	0700 009 013
Liquid 5000 ml	0700 009 015
Accessory box empty	0700 009 016
Waste Container	0700 009 017
Accessory box complete	0700 009 020
Inspection Glass	0700 009 037
Kit - Inspection window	0700 009 038
Kit - Electrode holder	0700 009 039
Kit - Seal abrasive wheel	0700 009 040

### TIG PEN

The TIG pen allows the welder to control the tip of the filler wire with great accuracy even at a long distance from the weld seam and in the process helps the welder to obtain a higher quality weld. It also eliminates waste of the filler wire. The TIG Pen can be used with any wire diameter from 1.0 to 3.2 mm.



#### Ordering information

TIG Pen	0700 009 026
---------	--------------

### Tungsten Electrodes

This is a high-quality range of tungsten electrodes available in Thoriated, Ceriated, pure and Lanthanated (Gold Plus) versions. ESAB tungsten electrodes have excellent welding and ignition properties. They are delivered in plastic boxes, each containing ten electrodes. The standard electrodes are 175 mm long.



#### Ordering information

WC20 ø1.0 mm AC/DC (Ceriated) Pk 10 Grey	0151 574 036
WC20 ø1.6 mm AC/DC (Ceriated) Pk 10 Grey	0151 574 037
WC20 ø2.4 mm AC/DC (Ceriated) Pk 10 Grey	0151 574 038
WC20 ø3.2 mm AC/DC (Ceriated) Pk 10 Grey	0151 574 039
WC20 ø4.0 mm AC/DC (Ceriated) Pk 10 Grey	0151 574 040
WT20 ø1.0 mm DC (Thoriated) Pk 10 Red	0151 574 001
WT20 ø1.6 mm DC (Thoriated) Pk 10 Red	0151 574 002
WT20 ø2.4 mm DC (Thoriated) Pk 10 Red	0151 574 003
WT20 ø3.2 mm DC (Thoriated) Pk 10 Red	0151 574 004
WT20 ø4.0 mm DC (Thoriated) Pk 10 Red	0151 574 005
W Pure ø1.0 mm AC Pk 10 Green	0151 574 008
W Pure ø1.6 mm AC Pk 10 Green	0151 574 009
W Pure ø2.4 mm AC Pk 10 Green	0151 574 010
W Pure ø3.2 mm AC Pk 10 Green	0151 574 011
W Pure ø4.0 mm AC Pk 10 Green	0151 574 012